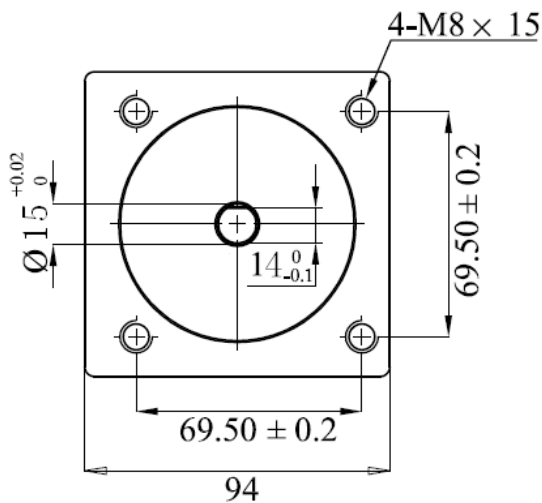
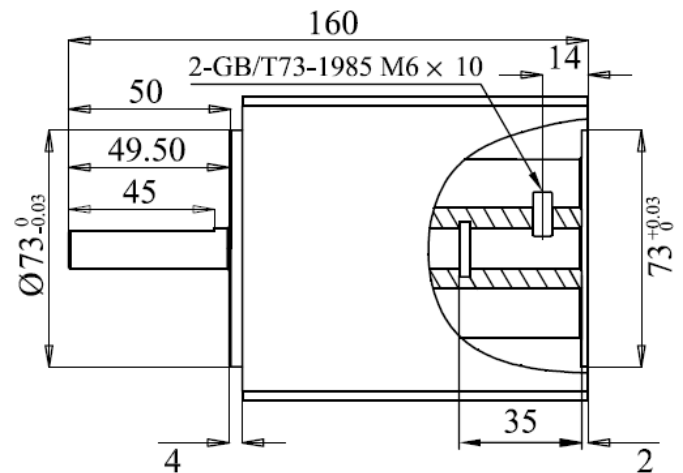
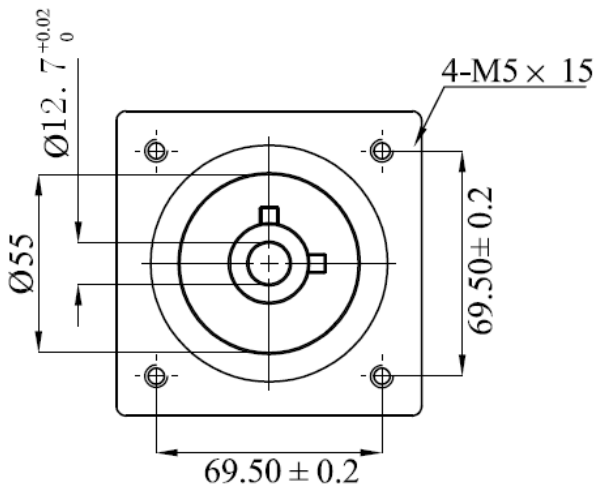
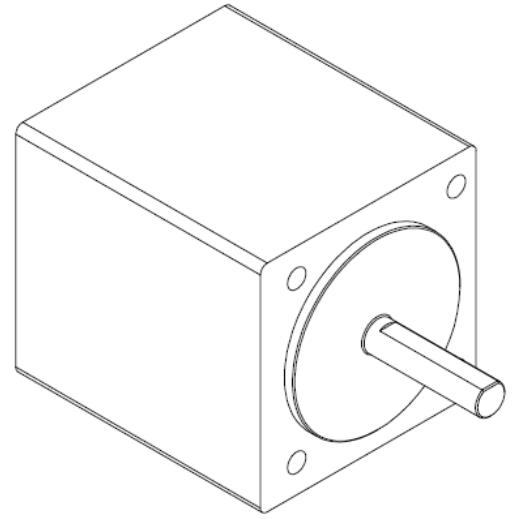
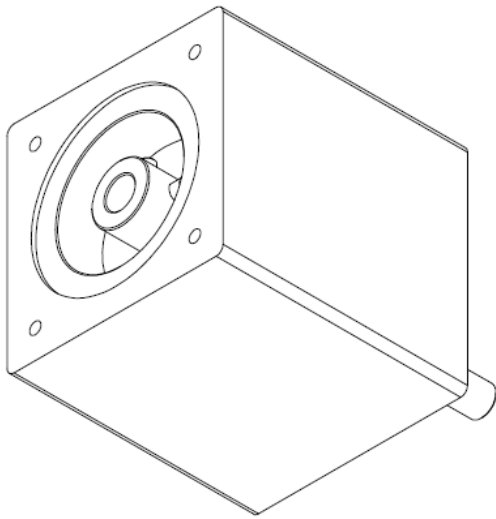


# KL-34GH51



PLANETARY GEARBOX WITH STEPPER MOTOR, REDUCE THE SPEED, INCREASE TORQUE, PRECISIONS, MAINLY USED FOR CNC ROUTER, CNC PLASMA, CNC LASER, MANY OTHER AUTOMATION SYSTEM

GEAR RATIO 5:1  
 Backlash about 6 arcmin  
 Standard NEMA34 (Input and Output side)  
 Max Input Speed: 4000 RPM  
 Lifetime Lubrication  
 IP55 Protection  
 Max. Torque: 100 N-m ( 14100 oz-in)  
 It will work with our NEMA 34 motors